

IRE-U-LCR-I

General

The IRE-U-LC infrared receiver works with a carrier frequency of 40kHz and is the link between the varintens infra-red remote and the subnet. The information then comprises the receiver's address and the channel number transmitted by the handheld transmitter. This lets the master know exactly which key code is received from which receiver. Possible the appropriate functions are to be implemented with a hand transmitter in different areas.



Announcement:

In the use of fluorescent lamps and scoop controlled fluorescent lamps we recommend out higher order receiver **IRE-U** with 455kHz carrier frequency!

Function displays

- 1 flashing green LED signalise the recipience of an IR commands

Connections

- 1 connection for the subnet (BUS A and B, RS-485)
- 1 connection for the operating voltage (Ub, 0V)

Design

- Under-Plaster cover, pure white

Special function DIP switch 1

- Baudrate
 - switch OFF data transmission rate 38400 Baud
 - switch ON data transmission rate 9600 Baud

Subaddressing

The remote control LCR-I is able zu set 4 sub addresses (1-4) in the battery compartment. This must be selected at the setup in the ProgrammDesigner!

Technical data

Type	IRE-U-LCR-I
Art. Nr.	80040156
Operating voltage	12-26V DC
Current consumption	max. 12mA at 24V
Carrier frequency	40kHz

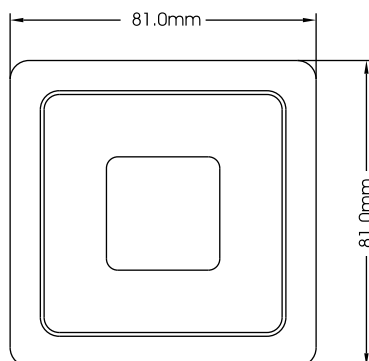
Technical data

IRE-U-LCR-I	Continued
Range	frontally 15m at normal conditions in the internal area to 2000 lx frontally 10m to 5000 lx frontally 5m at directe sun glare to 80000 lx The range can decrease when using fluorescent lamps with EVG on 4m
Subnet (RS-485)	max. 5,6V limited by Z-diodes
Dimensions	DxT, 51x26mm, Abdeckung 80x80mm
Weight	30g
Connection	Screw terminals
Operating temperature	-10...+50°C
Storage temperature	-25...+70°C
Humidity	0...85 % r.F. non condensing
Protection grade	IP00, otherwise according to the cover
EMV immunity	Use in typical industrial enviroment. Category 3 according to IEC-1000-4-4 (Test was carried out within a whole system)
CE sign	yes

Terminal assignment

Sh.	Free
\cong Ub	Operating voltage
OV	Operating voltage
A	Subnet (BUS A, RS-485)
B	Subnet (BUS B, RS-485)

View



View varintens remote control LCR-I



Wiring diagram

