

Technical Data / Instruction Manual

BW-03

Article no. 80087170

BW-03-UP

Article no. 80087171

BW-03-LP

Article no. 80087173

Motion Sensor



Directory of Content

1. Notes on documentation

- 1.1. Retention of documents
- 1.2. Symbols used

2. Safety instructions

- 2.1. Intended usage
- 2.2. Predictable mishandling
- 2.3. Safe handling
- 2.4. Qualification of staff
- 2.5. Changes to the product
- 2.6. Use of spare parts and additional equipment
- 2.7. Liability notes

3. Warranty

4. Declaration of Conformity

5. Service address

6. Maintenance / Care / Disposal

7. Storage

8. Assembly

9. Product description

10. Technical Data

- 10.1. Pin assignment

11. Wiring diagram

1. Notes on documentation

These instructions are intended for qualified personnel who are familiar with the assembly, installation and operation of the ISYGLT system. It is essential that you read these operating instructions through before commissioning and keep them accessible for further use.

SEEBACHER cannot accept any liability for damage or malfunctions resulting from failure to observe these instructions.

1.1. Retention of documents

These instructions and all other applicable documents are part of the product. They must be handed over to the device operator. The operator will store the documents so that they can be made available if necessary.

1.2. Symbols used

Observe the following safety and other instructions in the manual:



Handling instruction

The hand indicates that you should carry out an act.



Danger!

Immediate danger to life!



Attention!


General notes, useful information and special features

2. Safety instructions

Observe the following general safety instructions when installing and commissioning the device:

Assembly and installation of the ISYGLT module may only be carried out by a qualified electrician. Other activities in connection with the ISYGLT module, such as assembly and installation of system components with tested standard plug connections, as well as operation and configuration of the ISYGLT module may only be carried out by trained staff.

Observe the electrical installation regulations of the country in which the device is installed and operated as well as its national accident prevention regulations. In addition, observe internal company regulations (work, operating and safety regulations).

 Before working on the ISYGLT module system, it must be disconnected from the power supply and secured against being switched on again. After completion of the assembly, installation and maintenance work, an electrical check must be carried out! Check all protective conductor connections and the voltages at all connection plugs as well as at each individual module slot.

2.1. Intended usage

The sensor is used to switch and control lighting and/or HVAC systems depending on movement. **The device is not suitable as a burglary or robbery detector.** The sensor is designed for indoor use in buildings only and is intended for operation according to the listed technical data. Any other use is not intended. The limit values stated in the technical data must not be exceeded under any circumstances. This applies in particular to the permissible ambient temperature range and the permissible IP protection type. For applications with a higher required IP protection type, the ISYGLT module must be installed in a housing or a cabinet with a higher IP protection type.

2.2. Predictable mishandling

The module must not be used in the following cases in particular:

- explosive area

When operating in explosive areas, sparking can lead to deflagration, fire or explosions.

2.3. Safe handling

This module corresponds to the state of the art and the recognised safety regulations. Each device is tested for function and safety before delivery.

Only operate this module in perfect condition in accordance with the operating instructions, the applicable regulations and directi-

ves of the country in which the device is installed and operated, and the applicable safety and accident prevention regulations.

The device is intended for wall or ceiling mounting. It can be installed as a luminaire mounting, in a flush-mounted combination panel and as a surface-mounted variant in a junction box. Extreme environmental conditions impair the function of the product.

- Protect module from shocks
- Use module indoors only
- Protect module from humidity

In addition to these safety instructions, you must also observe the special safety instructions listed in the individual chapters for the individual acts.

2.4. Qualification of staff

Assembly, commissioning, operation, maintenance, decommissioning and disposal may only be carried out by qualified staff. Work on electrical parts may only be carried out by a trained electrician in accordance with the applicable regulations and directives. Other activities in connection with the ISYGLT module, such as assembly and installation of system components with tested standard plug connections, as well as operation and configuration of the ISYGLT module may only be carried out by trained staff.

2.5. Changes to the product

Unauthorized modifications to the ISYGLT module which are not described in this or the other applicable instructions can lead to malfunctions and are prohibited for safety reasons.

2.6. Use of spare parts and additional equipment

The module may be damaged if unsuitable spare parts and additional equipment are used. Only use original spare parts and additional equipment from the manufacturer.

2.7. Liability notes

SEEBACHER accepts no liability or warranty whatsoever for damage and consequential damage caused by non-compliance with the technical regulations, instructions and recommendations. SEEBACHER shall not be liable for any costs or damage incurred by the user or third parties as a result of the use of this equipment, in particular improper use of the equipment, misuse or malfunction of the connection, malfunction of the equipment or connected devices.

SEEBACHER accepts no liability for printing errors.

3. Warranty



We provide warranty within the framework of the statutory provisions. These are limited to the intended use of the module and refer to the repair or replacement of the ISYGLT module. Please send the device with an attached error description to our company address given below.

4. Declaration of Conformity



The valid declaration of conformity for the module can be requested from us free of charge by stating type and article no. as follows:

By phone: +49(0)8041/77776
By fax: +49(0)8041/77772
By mail: info@seebacher.de

5. Service address

Seebacher GmbH
Marktstrasse 57
83646 Bad Tölz
GERMANY

Phone: +49 (0) 80 41 / 77 77 6
Fax: +49 (0) 80 41 / 77 77 2

www.seebacher.de
info@seebacher.de

6. Maintenance / Care / Disposal



The product is maintenance-free. **The device has highly sensitive sensors and lens systems.** Soiled devices can be cleaned with a dry wipe. If this is not sufficient, a wipe slightly moistened with soap-water mixture can be used. **Do not clean the lens system with abrasive or aggressive cleaning products.**

Disposal (European Union)

Do not dispose of product in household waste! Products with this symbol



must be disposed of according to the EU directive WEEE 2012/19/ EU on waste electrical and electronic equipment at the local collection points for waste electrical and electronic equipment!

7. Storage



The product must be stored in a dry place, protected from dirt and mechanical stress. After damp or dirty storage, the product may only be operated after a condition check by an authorised electrician.

8. Assembly



(Only by certified electrician!)

Mount the product only when it is in a power-free state!

Switch off the power supply, check that there is no voltage, secure against being switched on again!

The device may only be operated at voltages according to the technical data and loaded with the currents defined therein. Only use suitable equipment (system modules).

Check that there are no loose parts in the product. If this is the case and the presence of such parts is not explicitly described, do not install or commission the product.

Only use suitable cables and fixing screws.

Assembly site

- The product can be installed in any position in a casing to be determined by the electrician (junction box). Observe maximum ambient temperature!

Assembly steps

(Read completely before assembly!)

The device is designed for wall or ceiling mounting. The full functionality of the device depends, among other things, on the mounting height (see chapter „Detection range“).

- Mount the device in a suitable casing.
- Make the electrical connections according to the wiring diagram.
- Only after a complete connection and a visual test by a qualified electrician, the system may be put under voltage.

9. Product description

The ISYGLT BW-03 motion sensor is based on passive infrared monitoring technology. Via the very small round lens, 80 zones are monitored in a radial manner. The detection range is guaranteed with 10m in radius according to the data sheet. Due to the integrated line amplifier the length of the control line up to the I/O module or 24V power component can be up to 100m. Due to its small design

the motion sensor can be easily integrated into devices or lights. As variants we also offer a version for mounting on standard switch boxes (type BW-03-UP) and a version in a light spot housing for installation in ceilings or hollow walls (type BW-03-LP). If required, please ask for the possibilities for corresponding switch programs of the different manufacturers.

Outputs

- 1 transistor output led to line amplifier with 3-pole terminal

Function displays

- none

Connections

- 3 spring-loaded terminals

Design

- BW-03: White plastic lens for gluing into devices or luminaires
- BW-03-UP: Flush-mounted combination plate matching the respective switch range with white plastic lens
- BW-03-LP: In light spot housing for installation in ceilings or hollow walls
- BW-03-LP-K4M: same as BW-03-LP, but with 4m long connection cable

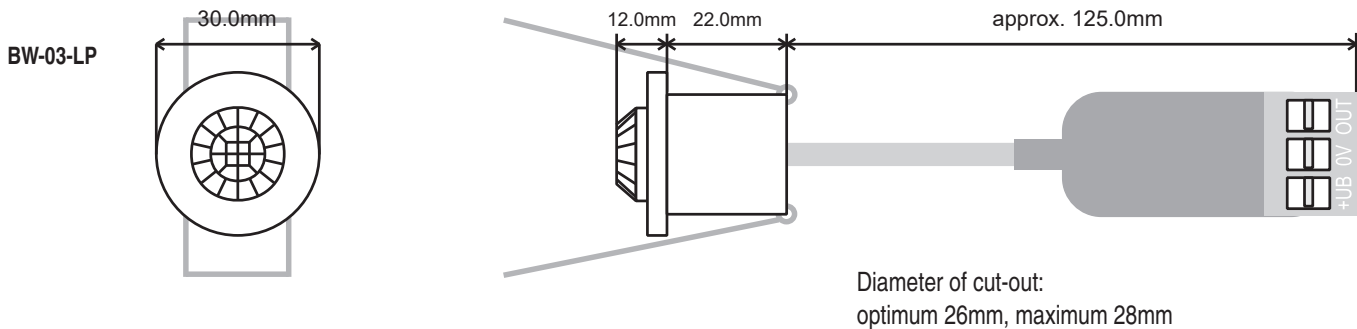
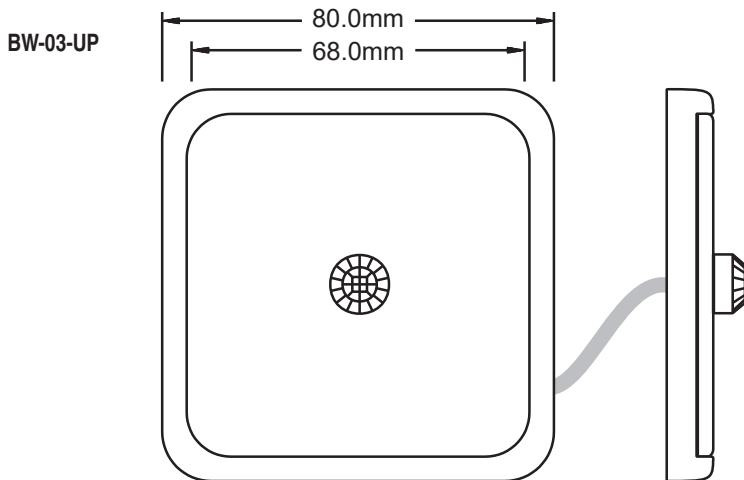
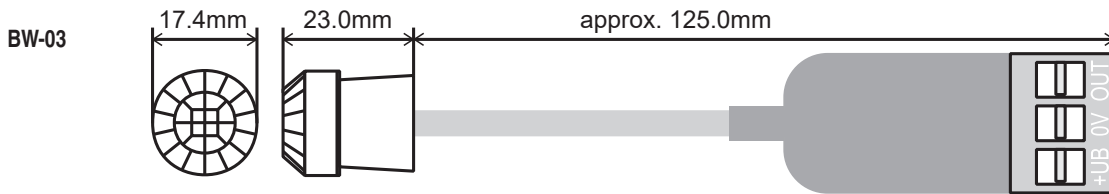
10. Technical data

Type designation	BW-03	BW-03-UP	BW-03-LP
Article no.	80087170	80087171	80087173
Operating voltage	12V to 30V DC		
Current consumption	max. 10mA without load		
Output	Vin -1.5V, 200mA short-circuit proof PNP, length max. 100m to the input module		
Dimensions	DxH 17.4x23mm + 125mm cable		
Weight	11g without flush-mounted cover plate		
Connection	3-pole spring-loaded terminal		
Operating temperature	-10°C to +50°C		
Storage temperature	-20°C to +70°C		
Humidity	0-85% r. h. non condensing		
Protection class	IP20		
CE mark	yes		

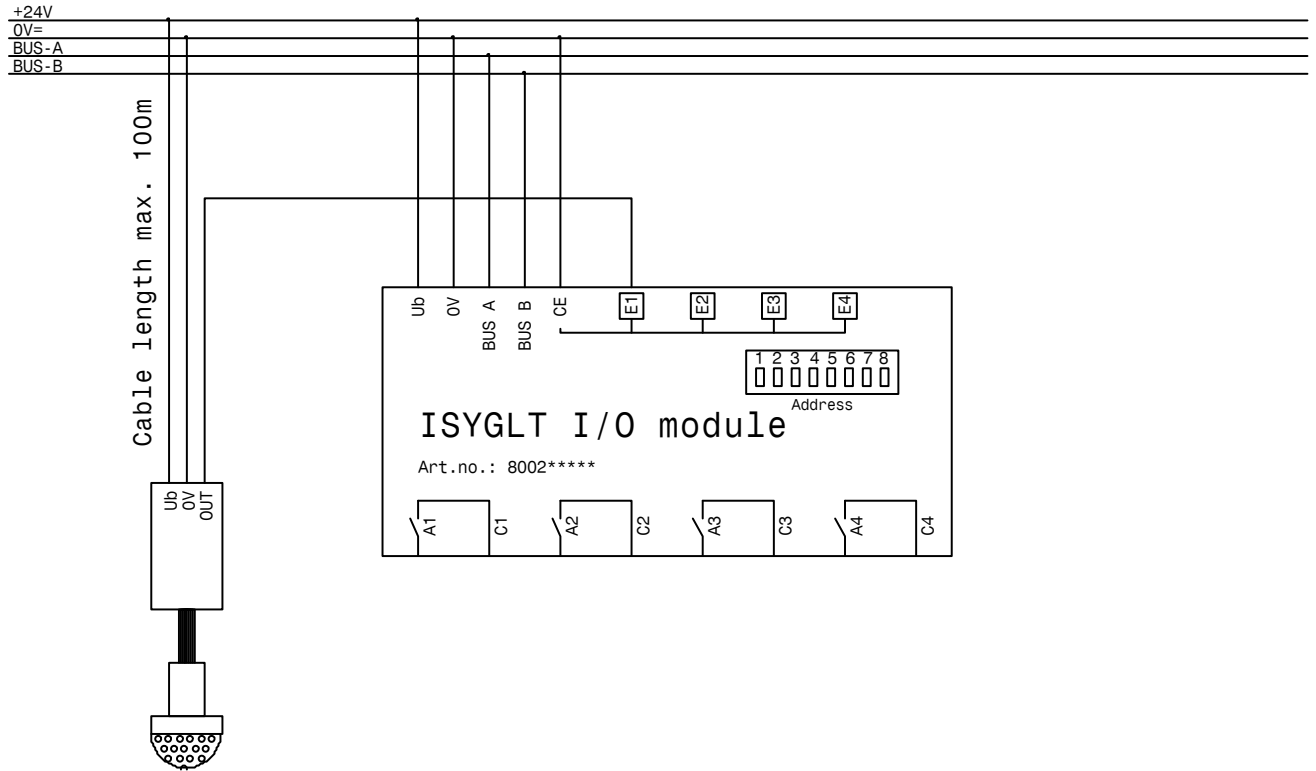
10.1. Pin assignment

+Ub	Operating voltage
0V	Operating voltage
OUT	Switching output

View



11. Wiring diagram



Detection range

